



Instant Filtered Water Tap Collection

Let us help you Kitchen Better.





**InSinkErator's
instant filtered water
tap collection brings
style, convenience and
efficiency to simplify
your life in the kitchen.**

Featuring a range of both all-in-one taps and side taps, you will be sure to find the ideal solution for your kitchen.

Designed and manufactured in Italy, the Multitap range offers a premium contemporary style to new and existing kitchen spaces. The Multitap brings with it elegance and practicality as the high-quality taps offer a variety of options across the range including instant filtered boiling, ambient and chilled water as well as regular hot and cold water, all available from a single multi-functional tap.

As an alternative option, the Hottap boiling water range of side taps are designed to sit alongside your standard kitchen mixer dispensing steaming hot and ambient filtered water.

in sink erator
multitap in sink erator
hottap



FILTERED WATER TAP COLLECTION FEATURES



Italian designed
and manufactured –
Multitap Range



Auto-lock, multi-step
boiling water lever
(not on Hottap 1100
Series)

98°C

Adjustable
temperature up to
98 degrees Celsius
from NeoTank



Space saving compact
underbench units



Variety of stylish
tap designs



Energy efficient
(approx \$50 per year
to run)



Ice bank technology
delivers chilled water



In-home warranty &
service, 5 years on a
Multitap, 2 years on
the Hottap, 2 years on
Neotank & NeoChiller



On trend tap
finishes



PVD finish technology
on Matte Black
4N1 tapware - less
susceptible to abrasions



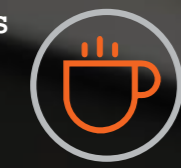
Premium water
filtration with
replaceable filters



ITALIAN MADE

MULTITAP 3N1

The Multitap 3N1 delivers instant filtered boiling water, plus regular hot and cold water available from a single multi-functional tap.



FILTERED BOILING WATER



REGULAR HOT & COLD WATER



SINGLE TAP MULTIPLE FUNCTIONS

- Single multifunctional tap design
- Designed & manufactured in Italy
- Instant filtered boiling water
- Regular mains hot & cold water
- 3 modern tap designs – J Shape, U Shape and L Shape
- Available in 3 finishes chrome, brushed steel & matte black/chrome
- Auto-lock, multi-step boiling water lever
- Swivel spout
- 5 year tap warranty & 2 year tank warranty



NEOTANK™
Delivers instant filtered boiling water

Turn to page 13 for more information →





MULTITAP 4N1

CHILLED

The Multitap 4N1 Chilled delivers instant filtered boiling and chilled water, plus regular hot and cold water available from a single multi-functional tap.



FILTERED BOILING WATER



CHILLED FILTERED WATER



REGULAR HOT & COLD WATER

The Multitap 4N1 is also available in a boiling & ambient filtered water variant. This product is supplied with the Neotank only and is available in the same tapware and finishes.

ONE TAP MULTIPLE FUNCTIONS

- Single multifunctional tap design
- Designed & manufactured in Italy
- Instant filtered chilled water
- Instant filtered boiling water
- Regular mains hot & cold water
- 2 modern tap designs – J Shape and L Shape
- Innovative, illuminated touch button control releases chilled water
- Available in 3 finishes chrome, brushed steel & matte black
- Durable PVD matte black finish, less susceptible to abrasions
- Auto-lock, multi-step boiling water lever
- Swivel spout
- 5 year tap warranty & 2 year tank warranty



CHROME
BRUSHED
MATTE BLACK



CHROME
BRUSHED
MATTE BLACK



NEOCHILLER™
Delivers instant filtered chilled drinking water. Neochiller only available for the Multitap 4N1 Chilled.

NEOTANK™
Delivers instant filtered boiling water

Turn to page 13 for more information →





SIDE TAP RANGE

The Hottap range is designed to sit alongside your standard kitchen mixer. Dispensing instant filtered boiling and ambient water, the Hottap brings boiling water and efficiency to simplify your life in the kitchen.

- Modern contemporary side tap designed to sit next to a standard mixer tap
- Instant filtered boiling water (H3300 & GN1100)
- Instant filtered boiling and ambient water (HC3300 & HC1100)
- Auto-lock, multi-step boiling water lever on models HC3300 & H3300
- Swivel spout
- 2 Year Parts and Labour Limited Warranty

FILTERED BOILING WATER TAP

H3300

CHROME



GN1100

CHROME



FILTERED BOILING + AMBIENT WATER TAP

HC3300

CHROME



HC1100

CHROME




NEOTANK™
Delivers instant filtered boiling water

Turn to page 13 for more information 

Enjoy the convenience of InSinkErator's instant filtered water tap collection



DRINKING

Boiling water – tea, coffee
Chilled water – water bottles & jugs



COOKING

Time saving – faster cooking times
Pasta, noodles, blanching vegetables



CLEANING

Instant boiling water makes cleaning easier and faster





DELIVERS INSTANT FILTERED BOILING WATER

The space saving compact underbench unit design filters and delivers instantaneous boiling water to 98°C . Installation is easy and designed for domestic kitchens.

- Space saving design can be affixed to internal cabinet wall
- 2.5 litre stainless steel tank capacity
- Touch-panel control display with adjustable temperature (98°C)
- Quiet, energy-efficient operation
- No cupboard ventilation required
- Easy installation with tool-free connections and dry-start protection
- Includes filter
- Reduces chlorine, lead, and other unpleasant tastes, chemicals and odours from the water
- Special scale reduction technology protects heating elements



DELIVERS INSTANT FILTERED CHILLED WATER

NeoChiller® is a compact chiller unit that fits neatly beneath your benchtop. The InSinkEerator filter system removes impurities including chlorine, lead, and other unpleasant tastes, chemicals and odours from the mains water supply to ensure a fresh, pure taste. The chiller unit then chills the water to the perfect drinking temperature, straight from the tap.

- Compact underbench unit designed for easy installation under the kitchen sink
- Dispenses up to 7 litres per hour of chilled water between 3°C and 10°C
- Filters remove impurities and odours, without affecting the water's natural mineral content
- Ice-bank cooling technology for optimum chilling performance



MULTITAP 4N1



BOILING & CHILLED

J SERIES

PRODUCT CODES:

Chrome - 4005JC,
Matte Black - 4005JB,
Brushed - 4005JBR

L SERIES

PRODUCT CODES:

Chrome - 4005LC,
Matte Black - 4005LB,
Brushed - 4005LBR

BOILING & AMBIENT

J SERIES

PRODUCT CODES:

Chrome - 4004JCA,
Matte Black - 4004JBA,
Brushed - 4004JBRA

L SERIES

PRODUCT CODES:

Chrome - 4004LCA,
Matte Black - 4004LBA,
Brushed - 4004LBR

MULTITAP 3N1



BOILING ONLY

J SERIES

PRODUCT CODES:

Chrome - 3003JC,
Black/Chrome - 3003JB,
Brushed - 3003JBR

L SERIES

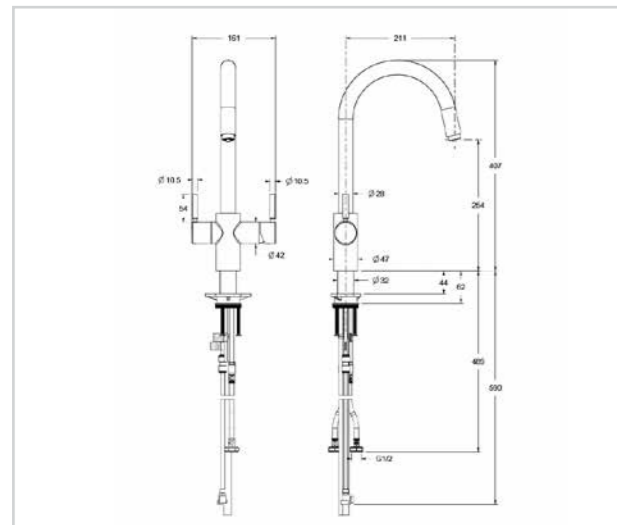
PRODUCT CODES:

Chrome - 3003LC,
Black/Chrome - 3003LB,
Brushed - 3003LBR

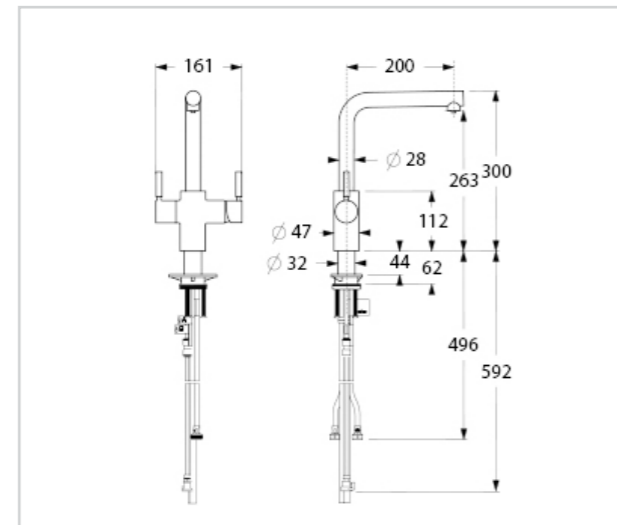
U SERIES

PRODUCT CODES:

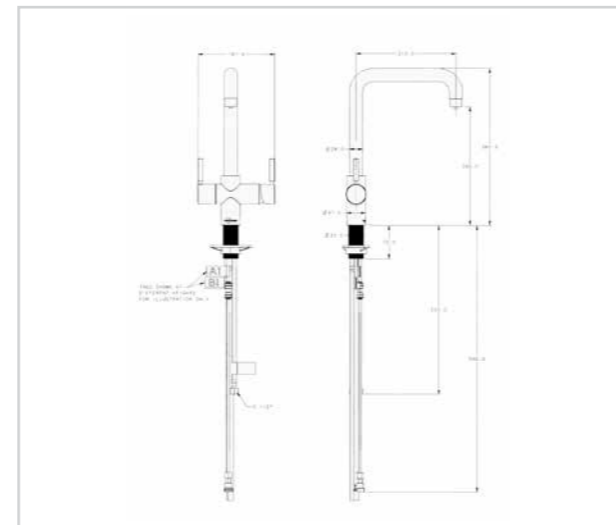
Chrome - 3003UC,
Black/Chrome - 3003UB



J Series - 4N1 and 3N1

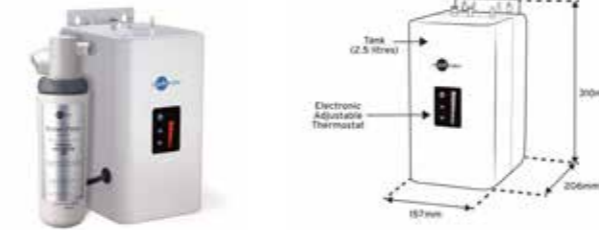


L Series - 4N1 and 3N1



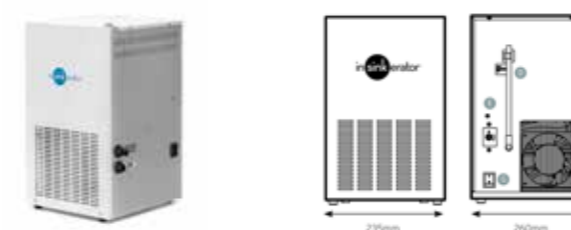
U Series - 3N1 only

NEOTANK™



Supplied with the Multitap 3N1 & Multitap 4N1 range

NEOCHILLER™



Supplied with the Multitap 4N1 Chilled range only

MULTITAP SPECIFICATIONS

| | |
|--|---|
| WATER SUPPLY | Hot & Cold mains supply |
| REQUIRED SUPPLY PRESSURE (COLD) | 172 - 862 kPa (1.7-8.6 bar) 25-125 psi |
| REQUIRED SUPPLY PRESSURE (HOT) | 50xPa (0.5 bar) (7psi) |
| REQUIRED HOLE DIAMETER | 35 - 38mm |
| POWER SUPPLY | NeoTank (1 x 10 amp GPO), NeoChiller (1 x 10 amp GPO) |
| NEOTANK CAPACITY | 2.5L Stainless steel tank |
| NEOCHILLER CAPACITY | 7 litres per hour of chilled water between 3°C and 10°C |
| NEOTANK DIMENSIONS | 310 x 206 x 157mm |
| NEOCHILLER DIMENSIONS | 407 x 235 x 260mm |
| WARRANTY | 5 Years (tap) / 2 Years (tanks) In-home parts & service |
| WELS RATING | 5 Stars |
| WATERMARK CERTIFIED | Yes |

HOTTAPS



BOILING ONLY

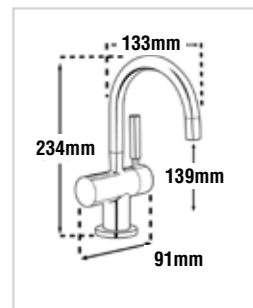
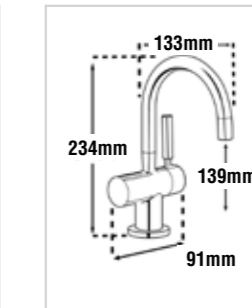
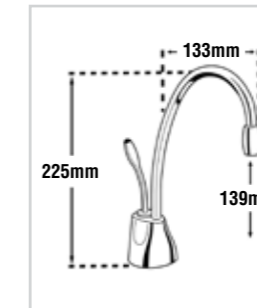
PRODUCT CODE:
Chrome - GN1100

PRODUCT CODE:
Chrome - H3300

BOILING & AMBIENT

PRODUCT CODE:
Chrome - HC1100

PRODUCT CODE:
Chrome - HC3300



NEOTANK™



Supplied with all products in the Hottap range

HOTTAP SPECIFICATIONS

| | |
|---------------------------------|--|
| REQUIRED SUPPLY PRESSURE | 1.7-8.6 bar |
| REQUIRED HOLE DIAMETER | 35 - 38mm |
| POWER SUPPLY | 1 x 10 amp GPO |
| NEOTANK CAPACITY | 2.5L Stainless steel tank |
| NEOTANK DIMENSIONS | 310 x 206 x 157mm |
| WARRANTY | 2 Years (tap & tank) - In-home parts & service |
| WATERMARK CERTIFIED | Yes |



InSinkErator Australia
Sales/Service Tel: 1300 136 205
Email: sales@insinkerator.com.au

Part No. M-PM-16PGWB-22

www.insinkerator.com.au

