



# Instant Filtered Water Tap Collection

Let us help you Kitchen Better.





InSinkErator's  
instant filtered water  
tap collection brings  
style, convenience and  
efficiency to simplify  
your life in the kitchen.

Featuring a range of both all-in-one taps and side taps, you will be sure to find the ideal solution for your kitchen.

Designed and manufactured in Italy, the Multitap range offers a premium contemporary style to new and existing kitchen spaces. The Multitap brings with it elegance and practicality as the high-quality taps offer a variety of options across the range including instant filtered boiling, ambient and chilled water as well as regular hot and cold water, all available from a single multi-functional tap.

As an alternative option, the Hottap boiling water range of side taps are designed to sit alongside your standard kitchen mixer dispensing steaming hot and ambient filtered water.

in sink erator  
**multitap** in sink erator  
**hottap**



# FILTERED WATER TAP COLLECTION FEATURES



Italian designed  
and manufactured –  
Multitap Range



Auto-lock, multi-  
step boiling water  
lever (not on Hottap  
1100 Series)

**98**°C

Adjustable  
temperature up to  
98 degrees Celsius  
from NeoTank



Space saving  
compact  
underbench units



Variety of stylish  
tap designs



Energy efficient  
(approx \$50 per  
year to run)



Ice bank technology  
delivers chilled  
water



In-home warranty &  
service, 5 years on a  
Multitap, 2 years on  
the Hottap, 2 years  
on Neotank &  
NeoChiller



On trend tap  
finishes



Premium water  
filtration with  
replaceable filters





ITALIAN MADE

# MULTITAP 3N1

The Multitap 3N1 delivers instant filtered boiling water, plus regular hot and cold water available from a single multi-functional tap.



FILTERED  
BOILING  
WATER

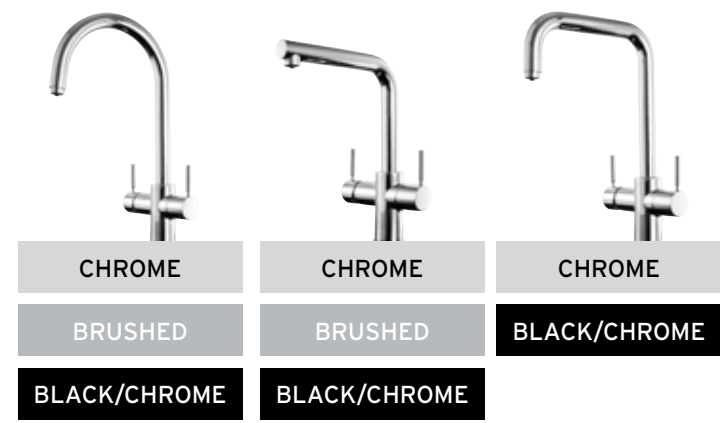


REGULAR HOT  
& COLD  
WATER



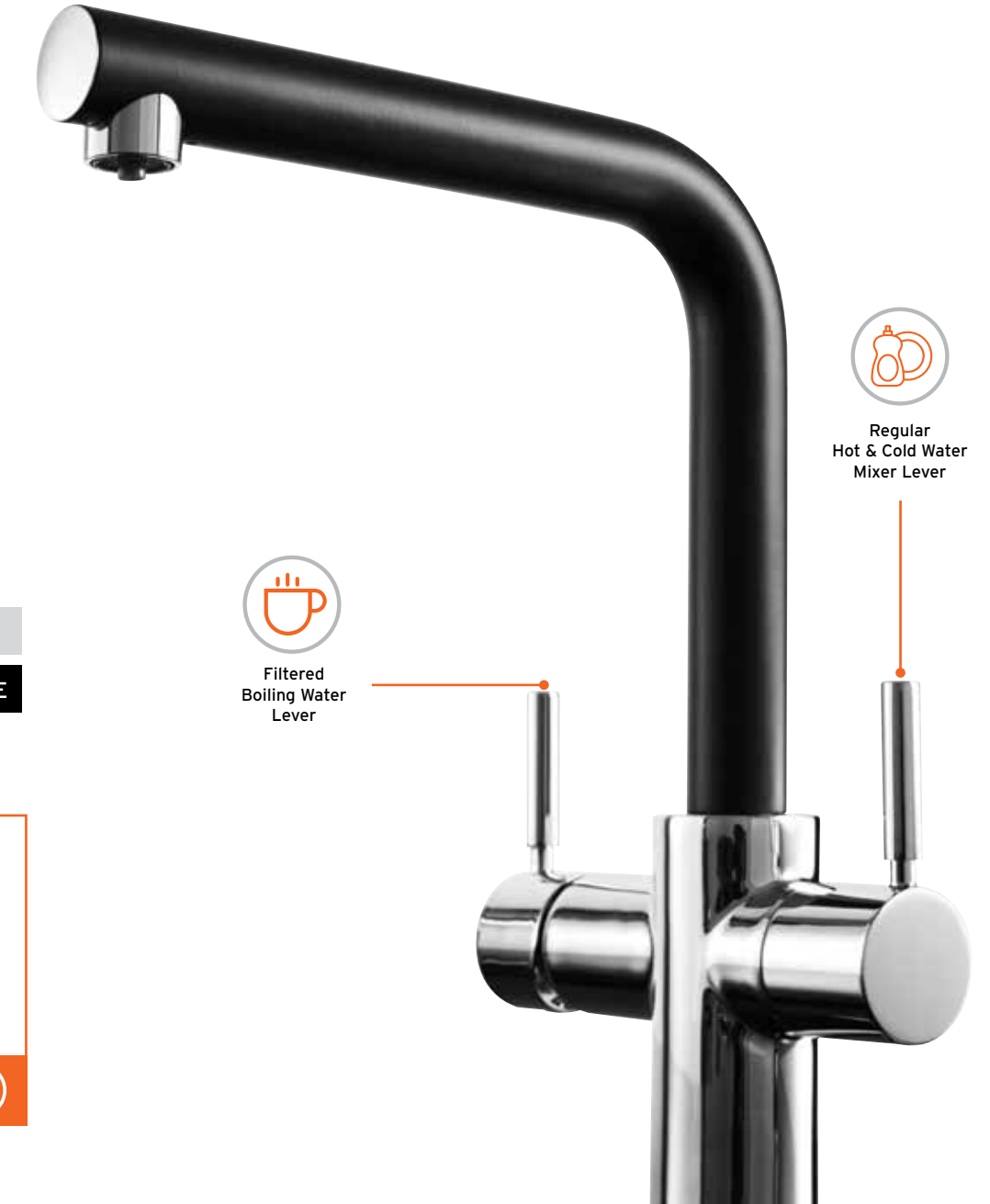
## SINGLE TAP MULTIPLE FUNCTIONS

- Single multifunctional tap design
- Designed & manufactured in Italy
- Instant filtered boiling water
- Regular mains hot & cold water
- 3 modern tap designs – J Shape, U Shape & L Shape
- Available in 3 finishes: chrome, brushed steel and black/chrome
- Auto-lock, multi-step boiling water lever
- Swivel spout
- 5 year tap warranty & 2 year tank warranty




**NEOTANK™**  
Delivers instant filtered boiling water

Turn to page 13 for more information





ITALIAN MADE

# MULTITAP 4N1

## CHILLED

The Multitap 4N1 Chilled delivers instant filtered boiling and chilled water, plus regular hot and cold water available from a single multifunctional tap.



FILTERED BOILING WATER



CHILLED FILTERED WATER



REGULAR HOT & COLD WATER

The Multitap 4N1 is also available in a boiling & ambient filtered water variant. This product is supplied with the Neotank only and is available in the same tapware and finishes.

## ONE TAP MULTIPLE FUNCTIONS

- Single multifunctional tap design
- Designed & manufactured in Italy
- Instant filtered chilled water
- Instant filtered boiling water
- Regular mains hot & cold water
- 2 modern tap designs – J Shape and L Shape
- Innovative, illuminated touch button control releases chilled water
- Available in 3 finishes: chrome, brushed steel and velvet black
- Auto-lock, multi-step boiling water lever
- Swivel spout
- 5 year tap warranty & 2 year tank warranty



CHROME

BRUSHED

VELVET BLACK



CHROME

BRUSHED

VELVET BLACK



### NEOCHILLER™

Delivers instant filtered chilled drinking water. Neochiller only available for the Multitap 4N1 Chilled.

### NEOTANK™

Delivers instant filtered boiling water

Turn to page 13 for more information →



Regular Hot & Cold Water Mixer Lever



Filtered Boiling Water Lever



Filtered Chilled Water from Touch Button





## SIDE TAP RANGE

The Hottap range is designed to sit alongside your standard kitchen mixer. Dispensing instant filtered boiling and ambient water, the Hottap brings boiling water and efficiency to simplify your life in the kitchen.

- Modern contemporary side tap designed to sit next to a standard mixer tap
- Instant filtered boiling water (H3300 & GN1100)
- Instant filtered boiling and ambient water (HC3300 & HC1100)
- Auto-lock, multi-step boiling water lever on models HC3300 & H3300
- Swivel spout
- 2 Year Parts and Labour Limited Warranty

### FILTERED BOILING WATER TAP

**H3300**

CHROME



**GN1100**

CHROME



### FILTERED BOILING + AMBIENT WATER TAP

**HC3300**

CHROME



**HC1100**

CHROME




**NEOTANK™**  
Delivers instant filtered boiling water

Turn to page 13 for more information →

## Enjoy the convenience of InSinkErator's instant filtered water tap collection



**DRINKING**  
Boiling water – tea, coffee  
Chilled water – water bottles & jugs



**COOKING**  
Time saving – faster cooking times  
Pasta, noodles, blanching vegetables



**CLEANING**  
Instant boiling water makes cleaning easier and faster





## DELIVERS INSTANT FILTERED BOILING WATER

The space saving compact underbench unit design filters and delivers instantaneous boiling water to 98°C . Installation is easy and designed for domestic kitchens.

- Space saving design can be affixed to internal cabinet wall
- 2.5 litre stainless steel tank capacity
- Touch-panel control display with adjustable temperature (98°C )
- Quiet, energy-efficient operation
- No cupboard ventilation required
- Easy installation with tool-free connections and dry-start protection
- Includes filter
- Reduces chlorine, lead, and other unpleasant tastes, chemicals and odours from the water
- Special scale reduction technology protects heating elements



## DELIVERS INSTANT FILTERED CHILLED WATER

NeoChiller® is a compact chiller unit that fits neatly beneath your benchtop. The InSinkEerator filter system removes impurities including chlorine, lead, and other unpleasant tastes, chemicals and odours from the mains water supply to ensure a fresh, pure taste. The chiller unit then chills the water to the perfect drinking temperature, straight from the tap.

- Compact underbench unit designed for easy installation under the kitchen sink
- Dispenses up to 7 litres per hour of chilled water between 3°C and 10°C
- Filters remove impurities and odours, without affecting the water's natural mineral content
- Ice-bank cooling technology for optimum chilling performance





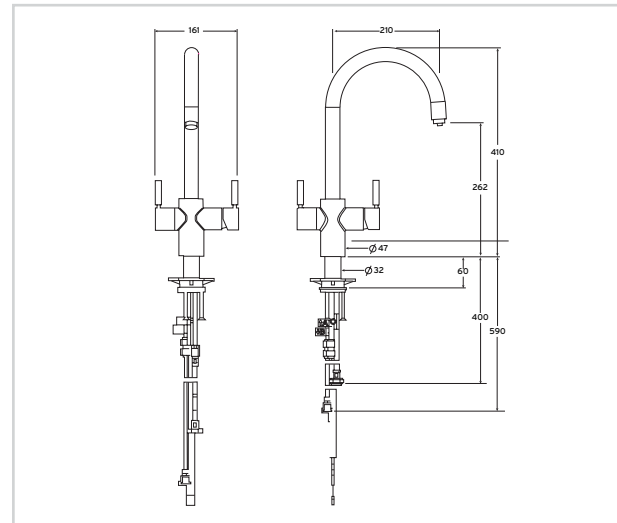
## MULTITAP 4N1



### BOILING & CHILLED

**J SERIES**  
**PRODUCT CODES:**  
 Chrome - 4005JC,  
 Brushed - 4005JBR,  
 Velvet Black - 4005JVBA

**L SERIES**  
**PRODUCT CODES:**  
 Chrome - 4005LC,  
 Brushed - 4005LBR,  
 Velvet Black - 4005LVBA

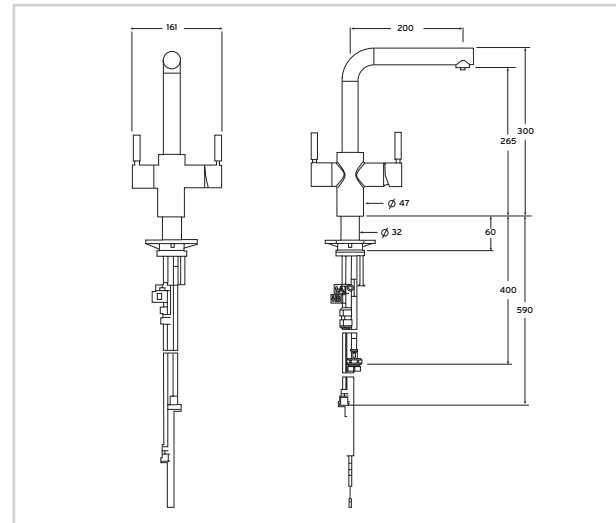


J Series - 4N1 and 3N1

### BOILING & AMBIENT

**J SERIES**  
**PRODUCT CODES:**  
 Chrome - 4004JCA,  
 Brushed - 4004JBRA,  
 Velvet Black - 4004JVBA

**L SERIES**  
**PRODUCT CODES:**  
 Chrome - 4004LCA,  
 Brushed - 4004LBRA,  
 Velvet Black - 4004LVBA



L Series - 4N1 and 3N1

## MULTITAP 3N1

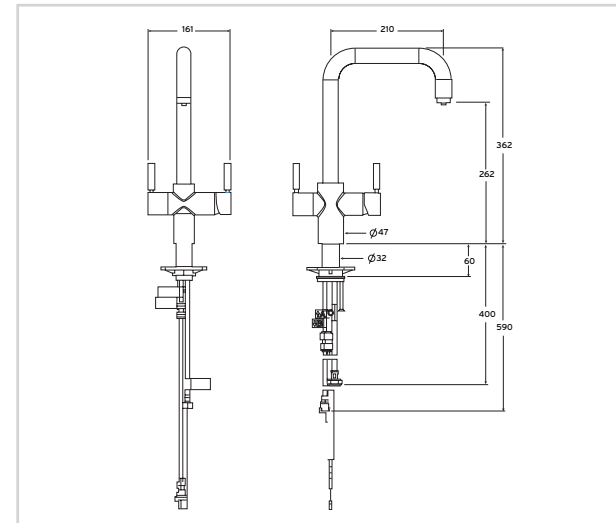


### BOILING ONLY

**J SERIES**  
**PRODUCT CODES:**  
 Chrome - 3003JC,  
 Brushed - 3003JBR,  
 Black/Chrome - 3003JB

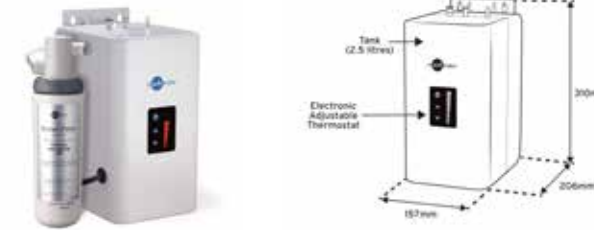
**L SERIES**  
**PRODUCT CODES:**  
 Chrome - 3003LC,  
 Brushed - 3003LBR,  
 Black/Chrome - 3003LB

**U SERIES**  
**PRODUCT CODES:**  
 Chrome - 3003UC,  
 Black/Chrome - 3003UB



U Series - 3N1 only

## NEOTANK™



Supplied with the Multitap 3N1 & Multitap 4N1 range

## NEOCHILLER™



Supplied with the Multitap 4N1 Chilled range only

### MULTITAP SPECIFICATIONS

<b>WATER SUPPLY</b>	Hot & Cold mains supply
<b>REQUIRED SUPPLY PRESSURE (COLD)</b>	172 - 862 kPa (1.7-8.6 bar) 25-125 psi
<b>REQUIRED SUPPLY PRESSURE (HOT)</b>	50xPa (0.5 bar) (7psi)
<b>REQUIRED HOLE DIAMETER</b>	35 - 38mm
<b>POWER SUPPLY</b>	NeoTank (1 x 10 amp GPO), NeoChiller (1 x 10 amp GPO)
<b>NEOTANK CAPACITY</b>	2.5L Stainless steel tank
<b>NEOCHILLER CAPACITY</b>	7 litres per hour of chilled water between 3°C and 10°C
<b>NEOTANK DIMENSIONS</b>	310 x 206 x 157mm
<b>NEOCHILLER DIMENSIONS</b>	407 x 235 x 260mm
<b>WARRANTY</b>	5 Years (tap) / 2 Years (tanks) In-home parts & service
<b>WELS RATING</b>	5 Stars
<b>WATERMARK CERTIFIED</b>	Yes

## HOTTAPS



### BOILING ONLY

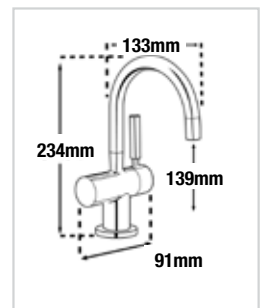
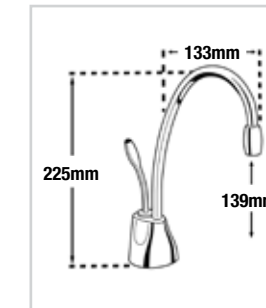
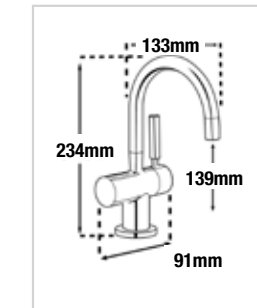
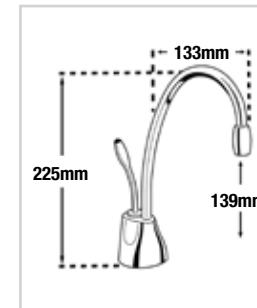
**PRODUCT CODE:**  
 Chrome - GN1100

**PRODUCT CODE:**  
 Chrome - H3300

### BOILING & AMBIENT

**PRODUCT CODE:**  
 Chrome - HC1100

**PRODUCT CODE:**  
 Chrome - HC3300



## NEOTANK™



Supplied with all products in the Hottap range

### HOTTAP SPECIFICATIONS

<b>REQUIRED SUPPLY PRESSURE</b>	1.7-8.6 bar
<b>REQUIRED HOLE DIAMETER</b>	35 - 38mm
<b>POWER SUPPLY</b>	1 x 10 amp GPO
<b>NEOTANK CAPACITY</b>	2.5L Stainless steel tank
<b>NEOTANK DIMENSIONS</b>	310 x 206 x 157mm
<b>WARRANTY</b>	2 Years (tap & tank) - In-home parts & service
<b>WATERMARK CERTIFIED</b>	Yes





InSinkErator Australia  
Sales/Service Tel: 1300 136 205  
Email: sales@insinkerator.com.au

[www.insinkerator.com.au](http://www.insinkerator.com.au)

Part No. M-PM-16PGWB-22



SD277\_03/25