

**MULTITAP™ 3N1**  
**L-SHAPE**  
**SPECIFICATION SHEET**

in sink erator  
**multitap**



## **MULTITAP™ 3N1.** **COOL, HOT AND STEAMING HOT WATER**

The reasons we fall in love with Italian products is their Passion and Purpose and Multitap is a testament to this commitment. We are proud to be able to now offer instant steaming hot water as a function of a standard kitchen tap mixer. Designed and manufactured in Italy this high quality tap brings contemporary style to new and existing kitchen spaces.

### **MultiTap™ 3N1**

- Instant steaming hot water as well as regular cool and hot water from the one tap
- Elegant one piece design
- Allows for a more efficient use of space and time
- Safety locking mechanism

### **NeoTank™**

- Precise temperature control:  $\pm 0.5^{\circ}\text{C}$  ( $\pm 09^{\circ}\text{F}$ ),
- 100% welded and brazed hot water tank designed with no seals
- Touch-panel display, with electronic thermostat and trouble-shooting fault Indicators
- Dry start protection
- The 2.5L capacity allows the consumer to heat only what they need while conserving energy for environmental stewardship.



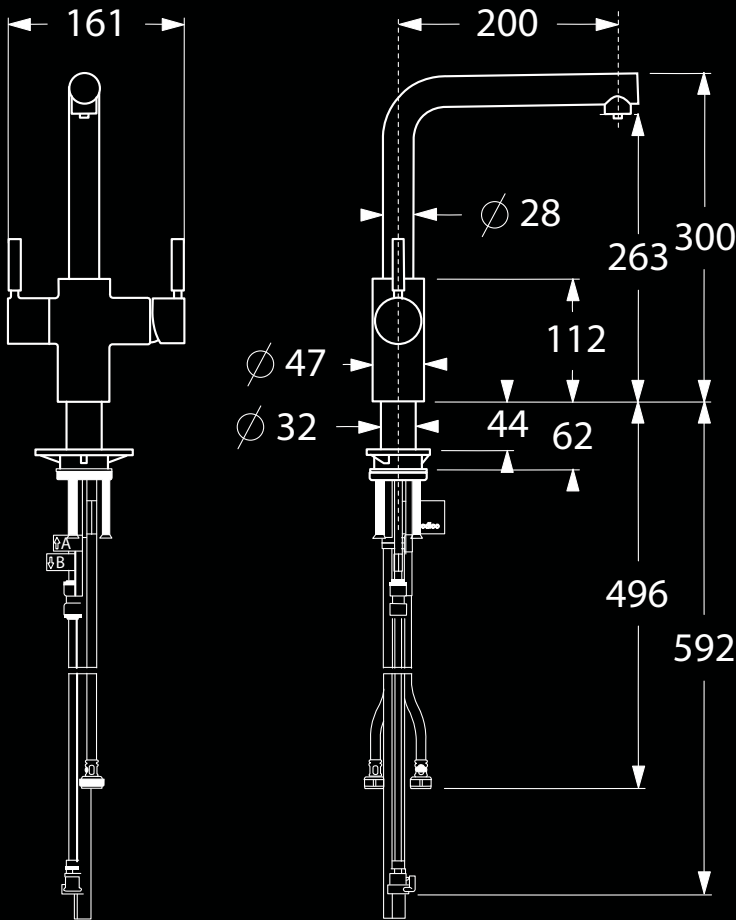
WMK26238

# MULTI RUBINETTO

**MULTITAP™ 3N1**  
**L-SHAPE**  
**SPECIFICATION SHEET**



**DIMENSIONS (MM)**



**SPECIFICATIONS:**

- Required hole 35mm
- Required supply pressure (cold): 172-862kPa (1.7-8.6 bar) (25-125 psi)
- Required supply pressure (hot): 50kPa (0.5 bar) (7 psi)
- 5 year parts and labour limited warranty on tap and 2 years on tank

Visit [www.multitap.com.au](http://www.multitap.com.au) to find out more information about this exclusive collection and find stockists.

To review the entire range of InSinkErator Hottaps™ and Multitaps™ visit [www.insinkerator.com.au](http://www.insinkerator.com.au)



WMK26238

InSinkErator. 471 Mountain Hwy, Bayswater VIC 3153.  
 Australian Sales Tel:1300 136 205, Fax: 03 9720 3178.

InSinkErator reserves the right to change product specifications without prior notice.  
 All products are for household use: usage in commercial situations is not covered by warranty.

The Emerson logo is a trademark and service mark of Emerson Electric Co.  
 InSinkErator is a division of Emerson Electric Co.



Find us on facebook at [facebook.com/insinkeratorAU](https://facebook.com/insinkeratorAU)



**EMERSON™**